

114 dB, 192 kHz, Multi-Bit Audio A/D Converter

Features

- Advanced Multi-bit Delta-sigma Architecture
- 24-bit Conversion
- 114 dB Dynamic Range
- -105 dB THD+N
- System Sampling Rates up to 192 kHz
- 135 mW Power Consumption
- High-pass Filter and DC Offset Calibration
- Supports Logic Levels Between 5 and 2.5 V
- Differential Analog Architecture
- Overflow Detection
- Pin-compatible with the CS5381

General Description

The CS5361 is a complete analog-to-digital converter for digital audio systems. It performs sampling, analog-to-digital conversion, and anti-alias filtering. The CS5361 generates 24-bit values for both left and right inputs in serial form at sample rates up to 192 kHz per channel.

The CS5361 uses a 5th-order, multi-bit, delta-sigma modulator followed by digital filtering and decimation. This removes the need for an external anti-alias filter. The ADC uses a differential architecture which provides excellent noise rejection.

The CS5361 is ideal for audio systems requiring wide dynamic range, negligible distortion, and low noise. These applications include A/V receivers, DVD-R, CD-R, digital mixing consoles, and effects processors.

ORDERING INFORMATION

CS5361-KSZ	-10° to 70°C 24-pin SOIC	Lead Free
CS5361-KZZ	-10° to 70°C 24-pin TSSOP	Lead Free
CS5361-DZZ	-40° to 85°C 24-pin TSSOP	Lead Free
CDB5361	Evaluation Board	

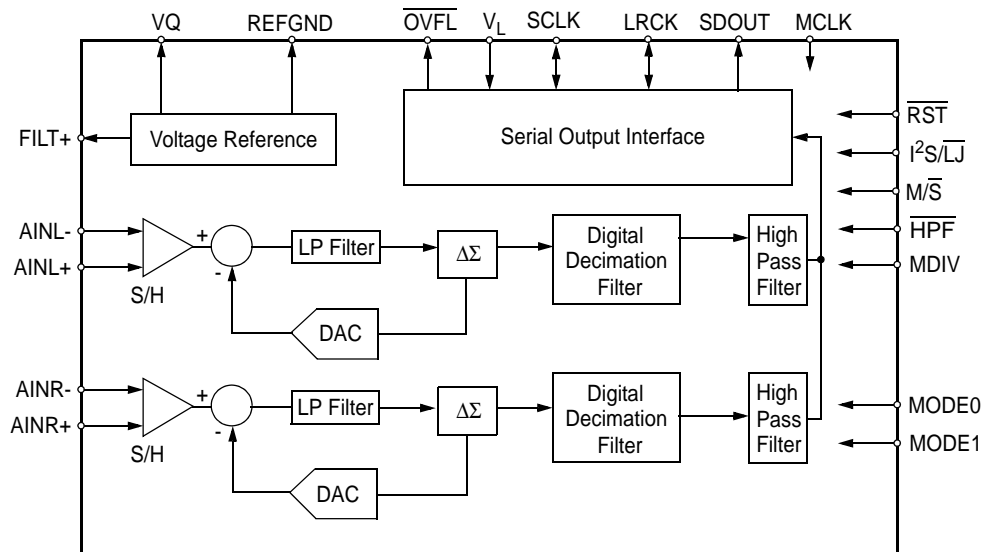


TABLE OF CONTENTS

1.0 CHARACTERISTICS AND SPECIFICATIONS	4
Specified Operating Conditions	4
Absolute Maximum Ratings	4
Analog Characteristics (CS5361-KSZ/KZZ).....	5
Analog Characteristics (CS5361-DZZ)	6
Digital Filter Characteristics	7
DC Electrical Characteristics	10
Digital Characteristics	10
Switching Characteristics - Serial Audio Port.....	11
2.0 PIN DESCRIPTIONS	14
3.0 TYPICAL CONNECTION DIAGRAM	15
4.0 APPLICATIONS	16
4.1 Operational Mode/Sample Rate Range Select	16
4.2 System Clocking	16
4.2.1 Slave Mode	16
4.2.2 Master Mode	17
4.3 Power-up Sequence	18
4.4 Analog Connections	18
4.5 High-pass Filter and DC Offset Calibration	19
4.6 Overflow Detection	19
4.6.1 OVFL Output Timing	19
4.7 Grounding and Power Supply Decoupling	19
4.8 Synchronization of Multiple Devices	19
5.0 PARAMETER DEFINITIONS	20
6.0 PACKAGE DIMENSIONS	21
7.0 REVISION HISTORY	23

LIST OF FIGURES

Figure 1. Single Speed Mode Stopband Rejection	8
Figure 2. Single Speed Mode Transition Band	8
Figure 3. Single Speed Mode Transition Band (Detail)	8
Figure 4. Single Speed Mode Passband Ripple	8
Figure 5. Double Speed Mode Stopband Rejection	8
Figure 6. Double Speed Mode Transition Band	8
Figure 7. Double Speed Mode Transition Band (Detail)	9
Figure 8. Double Speed Mode Passband Ripple	9
Figure 9. Quad Speed Mode Stopband Rejection	9
Figure 10. Quad Speed Mode Transition Band	9
Figure 11. Quad Speed Mode Transition Band (Detail)	9
Figure 12. Quad Speed Mode Passband Ripple	9
Figure 13. Master Mode, Left Justified SAI	12
Figure 14. Slave Mode, Left Justified SAI	12
Figure 15. Master Mode, I ² S SAI	12
Figure 16. Slave Mode, I ² S SAI	12
Figure 17. OVFL Output Timing	12
Figure 18. Left Justified Serial Audio Interface	13
Figure 19. I ² S Serial Audio Interface	13
Figure 20. OVFL Output Timing, I2S Format	13
Figure 21. OVFL Output Timing, Left-Justified Format	13
Figure 22. Typical Connection Diagram	15
Figure 23. CS5361 Master Mode Clocking	17
Figure 24. CS5361 Recommended Analog Input Buffer	18

LIST OF TABLES

Table 1. CS5361 Mode Control	16
Table 2. CS5361 Slave Mode Clock Ratios	16
Table 3. CS5361 Common Master Clock Frequencies	17
Table 4. Revision History	23

1.0 CHARACTERISTICS AND SPECIFICATIONS

All Min/Max characteristics and specifications are guaranteed over the specified operating conditions. Typical performance characteristics and specifications are derived from measurements taken at typical supply voltages and $T_A = 25^\circ\text{C}$.

SPECIFIED OPERATING CONDITIONS

GND = 0 V, all voltages with respect to GND.

Parameter		Symbol	Min	Typ	Max	Unit
DC Power Supplies:	Positive Analog	VA	4.75	5.0	5.25	V
	Positive Digital	VD	3.1	3.3	5.25	V
	Positive Logic	VL	2.37	3.3	5.25	V
Ambient Operating Temperature	Commercial (-KSZ/-KZZ)	T_{AC}	-10	-	70	$^\circ\text{C}$
	Automotive (-DZZ)	T_{AA}	-40	-	85	$^\circ\text{C}$

ABSOLUTE MAXIMUM RATINGS

GND = 0 V, All voltages with respect to GND. (Note 1)

Parameter		Symbol	Min	Max	Units
DC Power Supplies:	Analog	VA	-0.3	+6.0	V
	Logic	VL	-0.3	+6.0	V
	Digital	VD	-0.3	+6.0	V
Input Current	(Note 2)	I_{in}	-10	+10	mA
Analog Input Voltage	(Note 3)	V_{IN}	-0.7	VA + 0.7	V
Digital Input Voltage	(Note 3)	V_{IND}	-0.7	VL + 0.7	V
Ambient Operating Temperature (Power Applied)		T_A	-50	+95	$^\circ\text{C}$
Storage Temperature		T_{stg}	-65	+150	$^\circ\text{C}$

- Notes:
1. Operation beyond these limits may result in permanent damage to the device. Normal operation is not guaranteed at these extremes.
 2. Any pin except supplies. Transient currents of up to ± 100 mA on the analog input pins will not cause SCR latch-up.
 3. The maximum over/under voltage is limited by the input current.

ANALOG CHARACTERISTICS (CS5361-KSZ/KZZ)

Test conditions (unless otherwise specified): Input test signal is a 1 kHz sine wave; measurement bandwidth is 10 Hz to 20 kHz.

Parameter	Symbol	Min	Typ	Max	Unit
Single Speed Mode Fs = 48 kHz					
Dynamic Range	A-weighted	108	114	-	dB
	unweighted	105	111	-	dB
Total Harmonic Distortion + Noise	(Note 4)	-	-105	-99	dB
	-1 dB				
	-20 dB				
	-60 dB				
Double Speed Mode Fs = 96 kHz					
Dynamic Range	A-weighted	108	114	-	dB
	unweighted	105	111	-	dB
	40 kHz bandwidth unweighted	-	108	-	dB
Total Harmonic Distortion + Noise	(Note 4)	-	-105	-99	dB
	-1 dB				
	-20 dB				
	-60 dB				
	40 kHz bandwidth				
Quad Speed Mode Fs = 192 kHz					
Dynamic Range	A-weighted	108	114	-	dB
	unweighted	105	111	-	dB
	40 kHz bandwidth unweighted	-	108	-	dB
Total Harmonic Distortion + Noise	(Note 4)	-	-105	-99	dB
	-1 dB				
	-20 dB				
	-60 dB				
	40 kHz bandwidth				
Dynamic Performance for All Modes					
Interchannel Isolation		-	110	-	dB
DC Accuracy					
Interchannel Gain Mismatch		-	0.1	-	dB
Gain Error		-2	-	2	%
Gain Drift		-100	-	100	ppm/°C
Offset Error	HPF enabled	-	-	0	LSB
	HPF disabled	-	-	100	LSB
Analog Input Characteristics					
Full-scale Input Voltage		1.10*VA	1.13*VA	1.15*VA	Vpp
Input Impedance (Differential)	(Note 5)	7.5	-	-	kΩ
Common Mode Rejection Ratio	CMRR	-	82	-	dB

Notes: 4. Referred to the typical full-scale input voltage.

5. Measured between AIN+ and AIN-

ANALOG CHARACTERISTICS (CS5361-DZZ)

Test conditions (unless otherwise specified): Input test signal is a 1 kHz sine wave; measurement bandwidth is 10 Hz to 20 kHz.

Parameter	Symbol	Min	Typ	Max	Unit				
Single Speed Mode Fs = 48 kHz									
Dynamic Range	A-weighted	106	114	-	dB				
	unweighted	103	111	-	dB				
Total Harmonic Distortion + Noise	(Note 4)	THD+N							
	-1 dB					-	-105	-95	dB
	-20 dB					-	-91	-	dB
	-60 dB					-	-51	-	dB
Double Speed Mode Fs = 96 kHz									
Dynamic Range	A-weighted	106	114	-	dB				
	unweighted	103	111	-	dB				
	40 kHz bandwidth unweighted	-	108	-	dB				
Total Harmonic Distortion + Noise	(Note 4)	THD+N							
	-1 dB					-	-105	-95	dB
	-20 dB					-	-91	-	dB
	-60 dB					-	-51	-	dB
	40 kHz bandwidth -1 dB					-	-102	-	dB
Quad Speed Mode Fs = 192 kHz									
Dynamic Range	A-weighted	106	114	-	dB				
	unweighted	103	111	-	dB				
	40 kHz bandwidth unweighted	-	108	-	dB				
Total Harmonic Distortion + Noise	(Note 4)	THD+N							
	-1 dB					-	-105	-95	dB
	-20 dB					-	-91	-	dB
	-60 dB					-	-51	-	dB
	40 kHz bandwidth -1 dB					-	-102	-	dB
Dynamic Performance for All Modes									
Interchannel Isolation		-	110	-	dB				
Interchannel Phase Deviation		-	0.0001	-	Degree				
DC Accuracy									
Interchannel Gain Mismatch		-	0.1	-	dB				
Gain Error		-5	-	5	%				
Gain Drift		-100	-	100	ppm/°C				
Offset Error	HPF enabled	-	-	0	LSB				
	HPF disabled	-	-	100	LSB				
Analog Input Characteristics									
Full-scale Input Voltage		1.07*VA	1.13*VA	1.18*VA	Vpp				
Input Impedance (Differential)	(Note 5)	7.5	-	-	kΩ				
Common Mode Rejection Ratio	CMRR	-	82	-	dB				

DIGITAL FILTER CHARACTERISTICS

Parameter	Symbol	Min	Typ	Max	Unit
Single Speed Mode (2 kHz to 51 kHz sample rates)					
Passband (-0.1 dB) (Note 6)		0	-	0.47	Fs
Passband Ripple		-0.1	-	0.035	dB
Stopband (Note 6)		0.58	-	-	Fs
Stopband Attenuation		-95	-	-	dB
Total Group Delay (Fs = Output Sample Rate)	t_{gd}	-	12/Fs	-	s
Interchannel Phase Deviation		-	0.0001	-	Deg
Double Speed Mode (50 kHz to 102 kHz sample rates)					
Passband (-0.1 dB) (Note 6)		0	-	0.45	Fs
Passband Ripple		-0.1	-	0.035	dB
Stopband (Note 6)		0.68	-	-	Fs
Stopband Attenuation		-92	-	-	dB
Total Group Delay (Fs = Output Sample Rate)	t_{gd}	-	9/Fs	-	s
Interchannel Phase Deviation		-	0.0001	-	Deg
Quad Speed Mode (100 kHz to 204 kHz sample rates)					
Passband (-0.1 dB) (Note 6)		0	-	0.24	Fs
Passband Ripple		-0.1	-	0.035	dB
Stopband (Note 6)		0.78	-	-	Fs
Stopband Attenuation		-92	-	-	dB
Total Group Delay (Fs = Output Sample Rate)	t_{gd}	-	5/Fs	-	s
Interchannel Phase Deviation		-	0.0001	-	Deg
High-pass Filter Characteristics					
Frequency Response -3.0 dB		-	1	-	Hz
-0.13 dB (Note 7)			20	-	Hz
Phase Deviation @ 20 Hz (Note 7)		-	10	-	Deg
Passband Ripple		-	-	0	dB
Filter Settling Time			$10^5/Fs$		s

Notes: 6. The filter frequency response scales precisely with Fs.

7. Response shown is for Fs equal to 48 kHz. Filter characteristics scale with Fs.



Figure 1. Single Speed Mode Stopband Rejection



Figure 2. Single Speed Mode Transition Band



Figure 3. Single Speed Mode Transition Band (Detail)



Figure 4. Single Speed Mode Passband Ripple

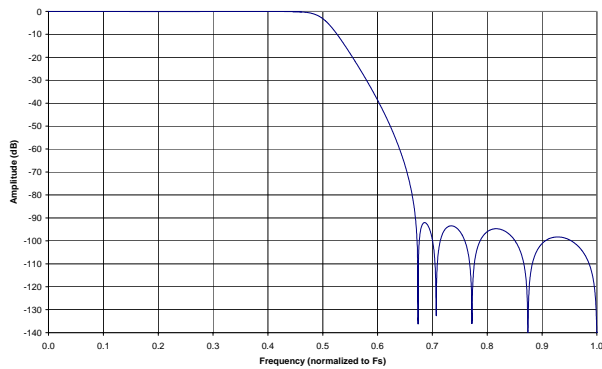


Figure 5. Double Speed Mode Stopband Rejection

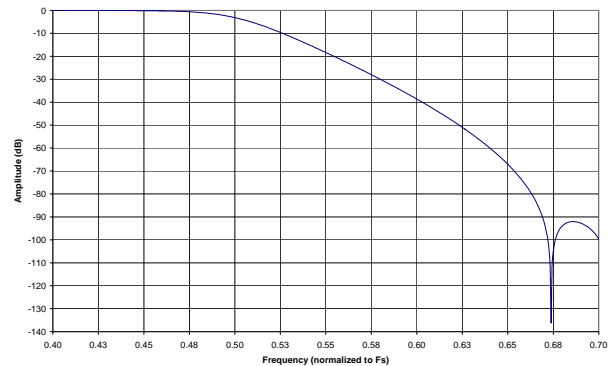
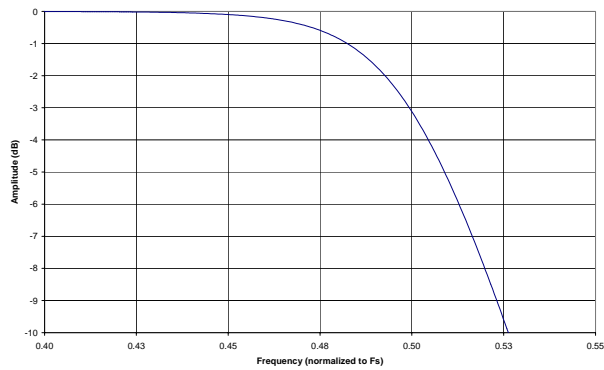
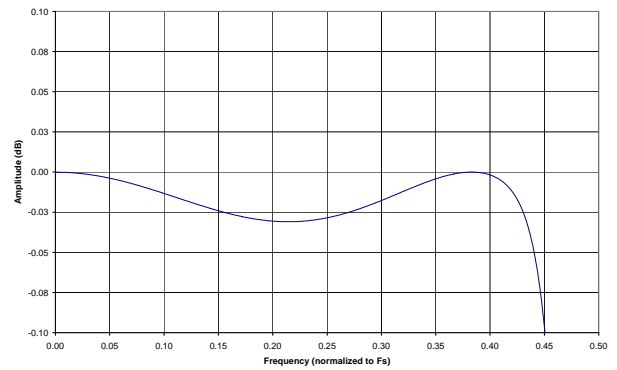
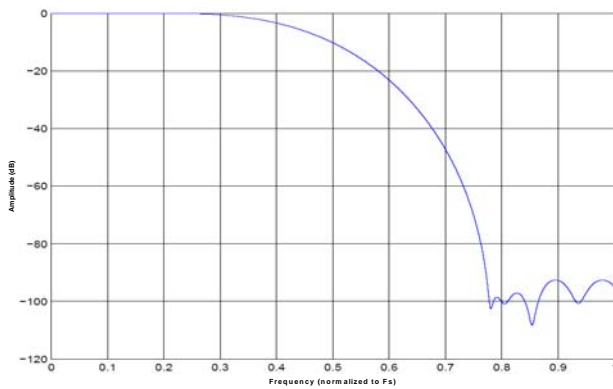
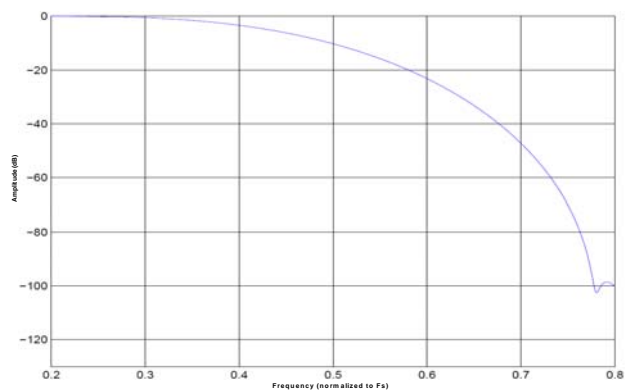
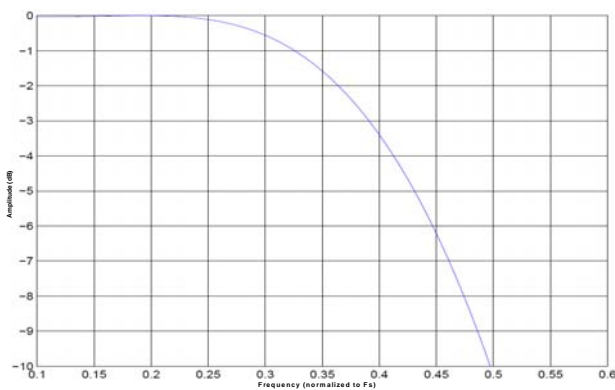
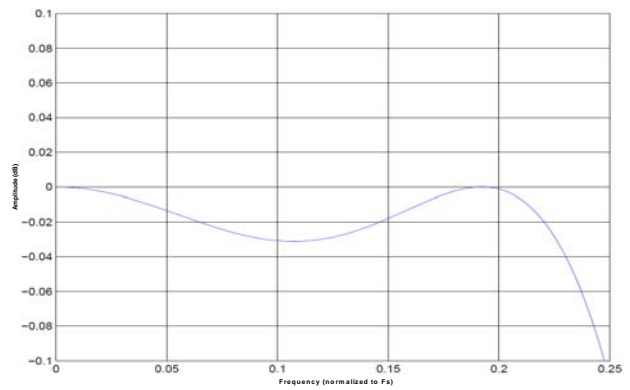


Figure 6. Double Speed Mode Transition Band


Figure 7. Double Speed Mode Transition Band (Detail)

Figure 8. Double Speed Mode Passband Ripple

Figure 9. Quad Speed Mode Stopband Rejection

Figure 10. Quad Speed Mode Transition Band

Figure 11. Quad Speed Mode Transition Band (Detail)

Figure 12. Quad Speed Mode Passband Ripple

DC ELECTRICAL CHARACTERISTICS

GND = 0 V, all voltages with respect to ground. MCLK=12.288 MHz; Master Mode.

Parameter	Symbol	Min	Typ	Max	Unit	
Power Supply Current (Normal Operation)	VA = 5 V	IA	-	17.5	21.5	mA
	VL, VD = 5 V	ID	-	22	27.5	mA
	VL, VD = 3.3 V	ID	-	14.5	17	mA
Power Supply Current (Power-Down Mode) (Note 8)	VA = 5 V	IA	-	100	-	μA
	VL, VD = 5 V	ID	-	100	-	μA
Power Consumption (Normal Operation)	VA, VD, VL = 5 V	-	-	198	243	mW
	VA = 5 V, VL, VD = 3.3 V	-	-	135	161	mW
	(Power-Down Mode)	-	-	1	-	mW
Power Supply Rejection Ratio (1 kHz) (Note 9)	PSRR	-	65	-	dB	
VQ Nominal Voltage		-	2.5	-	V	
Output Impedance		-	25	-	kΩ	
Maximum allowable DC current source/sink		-	0.01	-	mA	
FILT+ Nominal Voltage		-	5	-	V	
Output Impedance		-	15	-	kΩ	
Maximum allowable DC current source/sink		-	0.01	-	mA	

Notes: 8. Power Down Mode is defined as \overline{RST} = Low with all clocks and data lines held static.

9. Valid with the recommended capacitor values on FILT+ and VQ as shown in the Typical Connection Diagram.

DIGITAL CHARACTERISTICS

Parameter	Symbol	Min	Typ	Max	Units
High-Level Input Voltage (% of VL)	V _{IH}	70%	-	-	V
Low-Level Input Voltage (% of VL)	V _{IL}	-	-	30%	V
High-Level Output Voltage at I _o = 100 μA (% of VL)	V _{OH}	70%	-	-	V
Low-Level Output Voltage at I _o = 100 μA (% of VL)	V _{OL}	-	-	15%	V
\overline{OVFL} Current Sink	I _{ovfl}	-	-	4.0	mA
Input Leakage Current (all pins except SCLK and LRCK)	I _{in}	-10	-	10	μA
Input Leakage Current (SCLK and LRCK)	I _{in}	-25	-	25	μA

THERMAL CHARACTERISTICS

Parameter	Symbol	Min	Typ	Max	Unit	
Allowable Junction Temperature		-	-	135	°C	
Junction to Ambient Thermal Impedance	(Multi-layer PCB) TSSOP	θ _{JA-TM}	-	70	-	°C/W
	(Multi-layer PCB) SOIC	θ _{JA-SM}	-	60	-	°C/W
	(Single-layer PCB) TSSOP	θ _{JA-TS}	-	105	-	°C/W
	(Single-layer PCB) SOIC	θ _{JA-SS}	-	80	-	°C/W

SWITCHING CHARACTERISTICS - SERIAL AUDIO PORT

Logic "0" = GND = 0 V; Logic "1" = VL, C_L = 20 pF

Parameter	Symbol	Min	Typ	Max	Unit	
Output Sample Rate	Single Speed Mode	F _s	2	-	51	kHz
	Double Speed Mode	F _s	50	-	102	kHz
	Quad Speed Mode	F _s	100	-	204	kHz
OVFL to LRCK edge setup time	t _{setup}	16/f _{sclk}	-	-	s	
OVFL to LRCK edge hold time	t _{hold}	1/f _{sclk}	-	-	s	
OVFL time-out on overrange condition	F _s = 44.1, 88.2, 176.4 kHz	-	740	-	ms	
	F _s = 48, 96, 192 kHz	-	680	-	ms	
MCLK Specifications						
MCLK Period	t _{clkw}	38	-	1953	ns	
MCLK Pulse Duty Cycle		40	50	60	%	
Master Mode						
SCLK falling to LRCK	t _{mslr}	-20	-	20	ns	
SCLK falling to SDOOUT valid	t _{sdo}	0	-	32	ns	
SCLK Duty Cycle		-	50	-	%	
Slave Mode						
Single Speed						
Output Sample Rate	F _s	2	-	51	kHz	
LRCK Duty Cycle		40	50	60	%	
SCLK Period	t _{sclkw}	153	-	-	ns	
SCLK Duty Cycle		45	50	55	%	
SCLK falling to SDOOUT valid	t _{dss}	-	-	32	ns	
SCLK falling to LRCK edge	t _{slrd}	-20	-	20	ns	
Double Speed						
Output Sample Rate	F _s	50	-	102	kHz	
LRCK Duty Cycle		40	50	60	%	
SCLK Period	t _{sclkw}	153	-	-	ns	
SCLK Duty Cycle		45	50	55	%	
SCLK falling to SDOOUT valid	t _{dss}	-	-	32	ns	
SCLK falling to LRCK edge	t _{slrd}	-20	-	20	ns	
Quad Speed						
Output Sample Rate	F _s	100	-	204	kHz	
LRCK Duty Cycle		40	50	60	%	
SCLK Period	t _{sclkw}	77	-	-	ns	
SCLK Duty Cycle		45	50	55	%	
SCLK falling to SDOOUT valid	t _{dss}	-	-	32	ns	
SCLK falling to LRCK edge	t _{slrd}	-8	-	3	ns	


Figure 13. Master Mode, Left Justified SAI

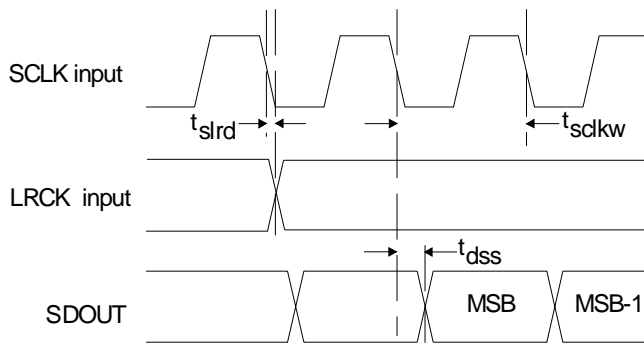
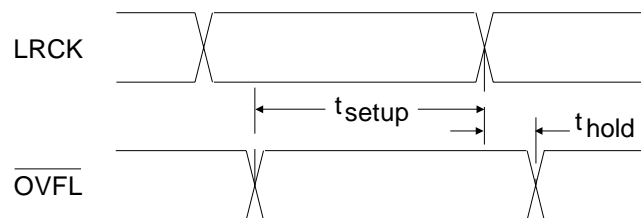
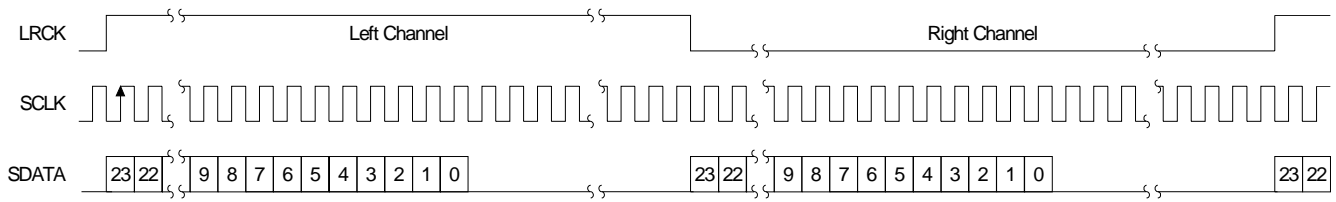
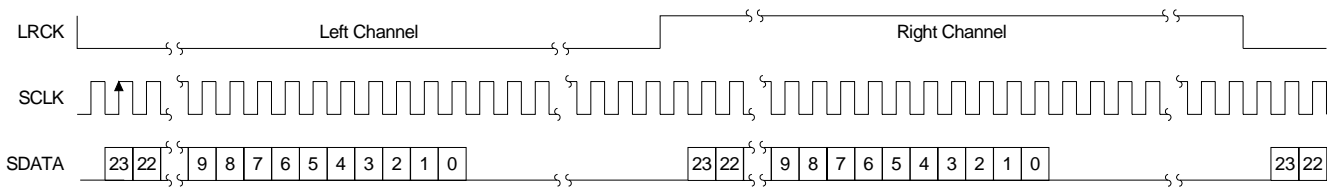
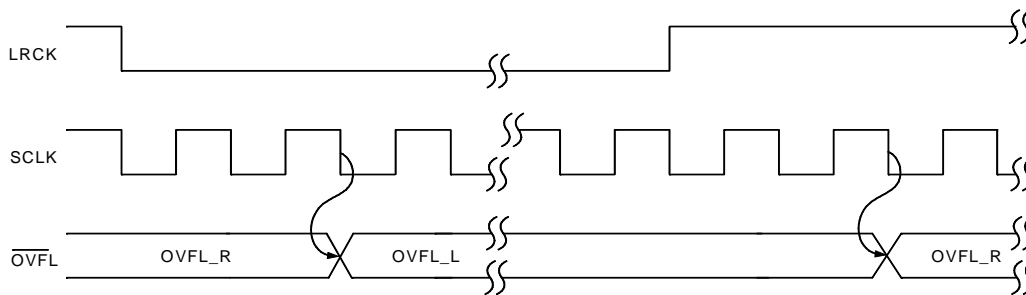
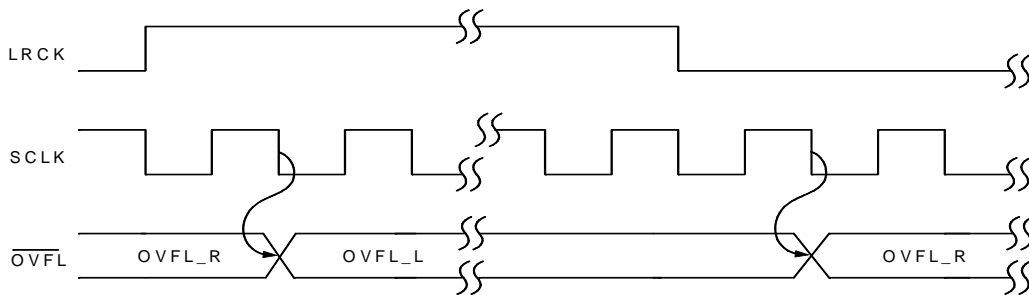
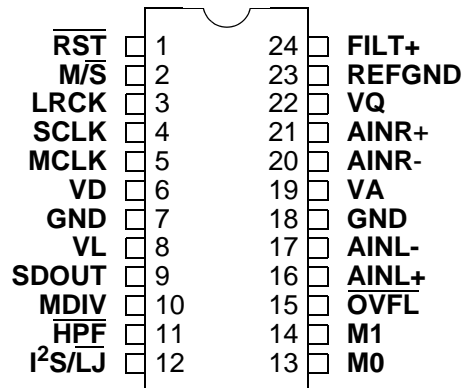
Figure 14. Slave Mode, Left Justified SAI

Figure 15. Master Mode, I²S SAI

Figure 16. Slave Mode, I²S SAI

Figure 17. $\overline{\text{OVFL}}$ Output Timing


Figure 18. Left Justified Serial Audio Interface

Figure 19. I²S Serial Audio Interface

Figure 20. $\overline{\text{OVFL}}$ Output Timing, I²S Format

Figure 21. $\overline{\text{OVFL}}$ Output Timing, Left-Justified Format

2.0 PIN DESCRIPTIONS



Pin Name	#	Pin Description
$\overline{\text{RST}}$	1	Reset (Input) - The device enters a low power mode when low.
$\overline{\text{M/S}}$	2	Master/Slave Mode (Input) - Selects operation as either clock master or slave.
LRCK	3	Left Right Clock (Input/Output) - Determines which channel, Left or Right, is currently active on the serial audio data line.
SCLK	4	Serial Clock (Input/Output) - Serial clock for the serial audio interface.
MCLK	5	Master Clock (Input) - Clock source for the delta-sigma modulator and digital filters.
VD	6	Digital Power (Input) - Positive power supply for the digital section.
GND	7, 18	Ground (Input) - Ground reference. Must be connected to analog ground.
VL	8	Logic Power (Input) - Positive power for the digital input/output.
SDOUT	9	Serial Audio Data Output (Output) - Output for two's complement serial audio data.
MDIV	10	MCLK Divider (Input) - Enables a master clock divide by two function.
HPF	11	High-pass Filter Enable (Input) - Enables the Digital High-Pass Filter.
I ² S/LJ	12	Serial Audio Interface Format Select (Input) - Selects either the left-justified or I ² S format for the SAI.
M0	13,	Mode Selection (Input) - Determines the operational mode of the device.
M1	14	
$\overline{\text{OVFL}}$	15	Overflow (Output, open drain) - Detects an overflow condition on both left and right channels.
AINL+	16,	Differential Left Channel Analog Input (Input) - Signals are presented differentially to the delta-sigma modulators via the AINL+/- pins.
AINL-	17	
VA	19	Analog Power (Input) - Positive power supply for the analog section.
AINR-	20,	Differential Right Channel Analog Input (Input) - Signals are presented differentially to the delta-sigma modulators via the AINR+/- pins.
AINR+	21	
VQ	22	Quiescent Voltage (Output) - Filter connection for the internal quiescent reference voltage.
REF_GND	23	Reference Ground (Input) - Ground reference for the internal sampling circuits.
FILT+	24	Positive Voltage Reference (Output) - Positive reference voltage for the internal sampling circuits.

3.0 TYPICAL CONNECTION DIAGRAM



Figure 22. Typical Connection Diagram

4.0 APPLICATIONS

4.1 Operational Mode/Sample Rate Range Select

The output sample rate, F_s , can be adjusted from 2 kHz to 204 kHz. The CS5361 must be set to the proper speed mode via the mode pins, M1 and M0. Refer to Table 1.

M1 (Pin 14)	M0 (Pin 13)	MODE	Output Sample Rate (F_s)
0	0	Single Speed Mode	2 kHz - 51 kHz
0	1	Double Speed Mode	50 kHz - 102 kHz
1	0	Quad Speed Mode	100 kHz - 204 kHz
1	1	Reserved	

Table 1. CS5361 Mode Control

4.2 System Clocking

The device supports operation in either Master Mode, where the left/right and serial clocks are synchronously generated on-chip, or Slave Mode, which requires external generation of the left/right and serial clocks. The device also includes a master clock divider in Master Mode where the master clock will be internally divided prior to any other internal circuitry when MDIV is enabled, set to logic 1. In Slave Mode, the MDIV pin needs to be disabled, set to logic 0.

4.2.1 Slave Mode

LRCK and SCLK operate as inputs in Slave mode. The left/right clock must be synchronously derived from the master clock and be equal to F_s . It is also recommended that the serial clock be synchronously derived from the master clock and be equal to $64x F_s$ to maximize system performance. Refer to Table 2 for required clock ratios.

	Single Speed Mode $F_s = 2 \text{ kHz to } 51 \text{ kHz}$	Double Speed Mode $F_s = 50 \text{ kHz to } 102 \text{ kHz}$	Quad Speed Mode $F_s = 100 \text{ kHz to } 204 \text{ kHz}$
MCLK/LRCK Ratio	256x, 512x	128x, 256x	128x
SCLK/LRCK Ratio	32x, 64x, 128x	32x, 64x	32x, 64x

Table 2. CS5361 Slave Mode Clock Ratios

4.2.2 Master Mode

In Master mode, LRCK and SCLK operate as outputs. The left/right and serial clocks are internally derived from the master clock with the left/right clock equal to F_s and the serial clock equal to $64 \times F_s$, as shown in Figure 23. Refer to Table 3 for common master clock frequencies.

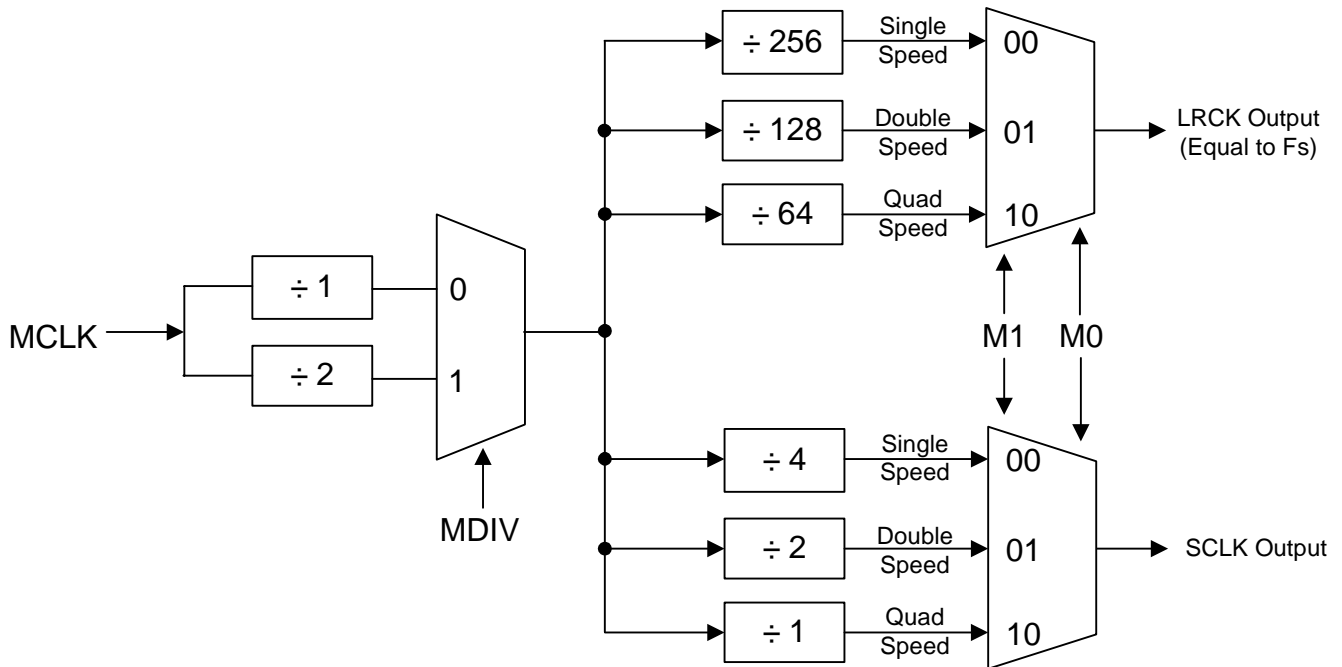


Figure 23. CS5361 Master Mode Clocking

SAMPLE RATE (kHz)	MDIV = 0 MCLK (MHz)	MDIV = 1 MCLK (MHz)
32	8.192	16.384
44.1	11.2896	22.5792
48	12.288	24.576
64	8.192	16.384
88.2	11.2896	22.5792
96	12.288	24.576
176.4	11.2896	22.5792
192	12.288	24.576

Table 3. CS5361 Common Master Clock Frequencies

4.3 Power-up Sequence

Reliable power-up can be accomplished by keeping the device in reset until the power supplies, clocks and configuration pins are stable. It is also recommended that reset be enabled if the analog or digital supplies drop below the minimum specified operating voltages to prevent power glitch related issues.

The internal reference voltage must be stable for the device to produce valid data. Therefore, there is a delay between the release of reset and the generation of valid output, due to the finite output impedance of FILT+ and the presence of the external capacitance.

4.4 Analog Connections

The analog modulator samples the input at 6.144 MHz. The digital filter will reject signals within the stopband of the filter. However, there is no rejection for input signals which are $(n \times 6.144 \text{ MHz})$ the digital passband frequency, where $n=0,1,2,\dots$ Refer to Figure 24 which shows the suggested filter that will attenuate any noise energy at 6.144 MHz, in addition to providing the optimum source impedance for the modulators. The use of capacitors which have a large voltage coefficient (such as general purpose ceramics) must be avoided since these can degrade signal linearity.

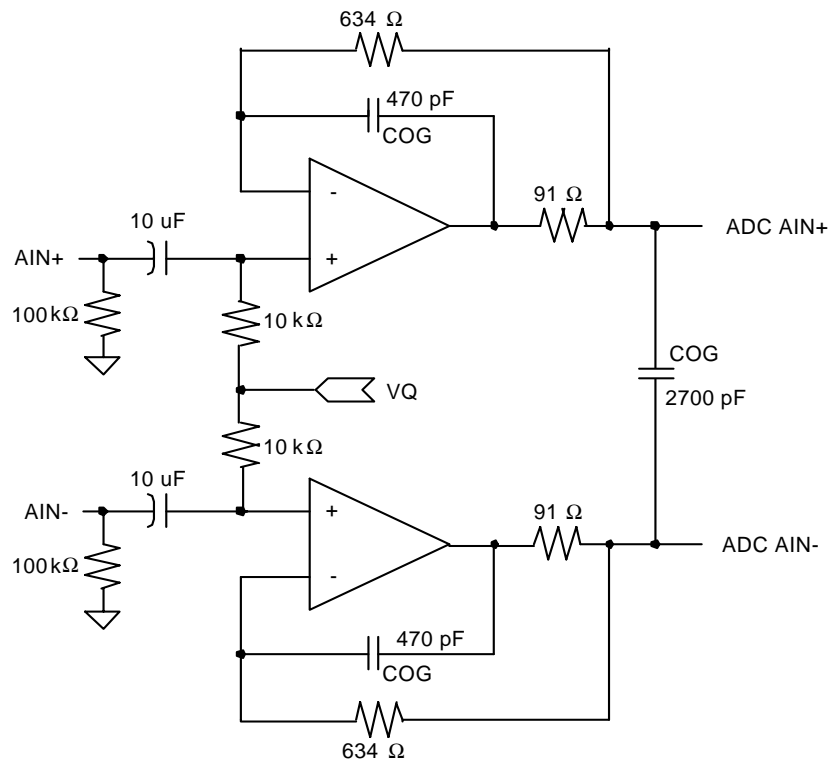


Figure 24. CS5361 Recommended Analog Input Buffer

4.5 High-pass Filter and DC Offset Calibration

The operational amplifiers in the input circuitry driving the CS5361 may generate a small DC offset into the A/D converter. The CS5361 includes a high-pass filter after the decimator to remove any DC offset which could result in recording a DC level, possibly yielding “clicks” when switching between devices in a multichannel system.

The high-pass filter continuously subtracts a measure of the DC offset from the output of the decimation filter. If the HPF pin is taken high during normal operation, the current value of the DC offset register is frozen and this DC offset will continue to be subtracted from the conversion result. This feature makes it possible to perform a system DC offset calibration by:

- 1) Running the CS5361 with the high-pass filter enabled until the filter settles. See the Digital Filter Characteristics for filter settling time.
- 2) Disabling the high-pass filter and freezing the stored DC offset.

A system calibration performed in this way will eliminate offsets anywhere in the signal path between the calibration point and the CS5361.

4.6 Overflow Detection

The CS5361 includes overflow detection on both the left and right channels. This time multiplexed information is presented as open drain, active low on pin 15, $\overline{\text{OVFL}}$. The $\overline{\text{OVFL_L}}$ and $\overline{\text{OVFL_R}}$ data will go to a logical low as soon as an overrange condition in either channel is detected. The data will remain low as specified in the Switching Characteristics - Serial Audio Port section. This ensures sufficient time to detect an overrange condition regardless of the speed mode. After the timeout, the $\overline{\text{OVFL_L}}$ and $\overline{\text{OVFL_R}}$ data will return to a logical high if there has not been any other overrange condition detected. Please note that an overrange condition on either channel will restart the timeout period for both channels.

4.6.1 $\overline{\text{OVFL}}$ Output Timing

In left-justified format, the $\overline{\text{OVFL}}$ pin is updated one SCLK period after an LRCK transition. In I²S format, the $\overline{\text{OVFL}}$ pin is updated two SCLK periods after an LRCK transition. Refer to Figures 23 and 24. In both cases the $\overline{\text{OVFL}}$ data can be easily demultiplexed by using the LRCK to latch the data. In left-justified format, the rising edge of LRCK would latch the right channel overflow status, and the falling edge of LRCK would latch the left channel overflow status. In I²S format, the falling edge of LRCK would latch the right channel overflow status and the rising edge of LRCK would latch the left channel overflow status.

4.7 Grounding and Power Supply Decoupling

As with any high resolution converter, the CS5361 requires careful attention to power supply and grounding arrangements if its potential performance is to be realized. Figure 22 shows the recommended power arrangements, with VA and VL connected to clean supplies. VD, which powers the digital filter, may be run from the system logic supply or may be powered from the analog supply via a resistor. In this case, no additional devices should be powered from VD. Decoupling capacitors should be as near to the ADC as possible, with the low value ceramic capacitor being the nearest. All signals, especially clocks, should be kept away from the FILT+ and VQ pins in order to avoid unwanted coupling into the modulators. The FILT+ and VQ decoupling capacitors, particularly the 0.01 μF , must be positioned to minimize the electrical path from FILT+ and REFGND. The CDB5361 evaluation board demonstrates the optimum layout and power supply arrangements. To minimize digital noise, connect the ADC digital outputs only to CMOS inputs.

4.8 Synchronization of Multiple Devices

In systems where multiple ADCs are required, care must be taken to achieve simultaneous sampling. To ensure synchronous sampling, the MCLK and LRCK must be the same for all of the CS5361's in the system. If only one master clock source is needed, one solution is to place one CS5361 in Master mode, and slave all of the other CS5361's to the one master. If multiple master clock sources are needed, a possible solution would be to supply all clocks from the same external source and time the CS5361 reset with the inactive edge of MCLK. This will ensure that all converters begin sampling on the same clock edge.

5.0 PARAMETER DEFINITIONS

Dynamic Range

The ratio of the rms value of the signal to the rms sum of all other spectral components over the specified bandwidth. Dynamic Range is a signal-to-noise ratio measurement over the specified bandwidth made with a -60 dBFS signal. 60 dB is added to resulting measurement to refer the measurement to full-scale. This technique ensures that the distortion components are below the noise level and do not affect the measurement. This measurement technique has been accepted by the Audio Engineering Society, AES17-1991, and the Electronic Industries Association of Japan, EIAJ CP-307. Expressed in decibels.

Total Harmonic Distortion + Noise

The ratio of the rms value of the signal to the rms sum of all other spectral components over the specified bandwidth (typically 10 Hz to 20 kHz), including distortion components. Expressed in decibels. Measured at -1 and -20 dBFS as suggested in AES17-1991 Annex A.

Frequency Response

A measure of the amplitude response variation from 10 Hz to 20 kHz relative to the amplitude response at 1 kHz. Units in decibels.

Interchannel Isolation

A measure of crosstalk between the left and right channels. Measured for each channel at the converter's output with no signal to the input under test and a full-scale signal applied to the other channel. Units in decibels.

Interchannel Gain Mismatch

The gain difference between left and right channels. Units in decibels.

Gain Error

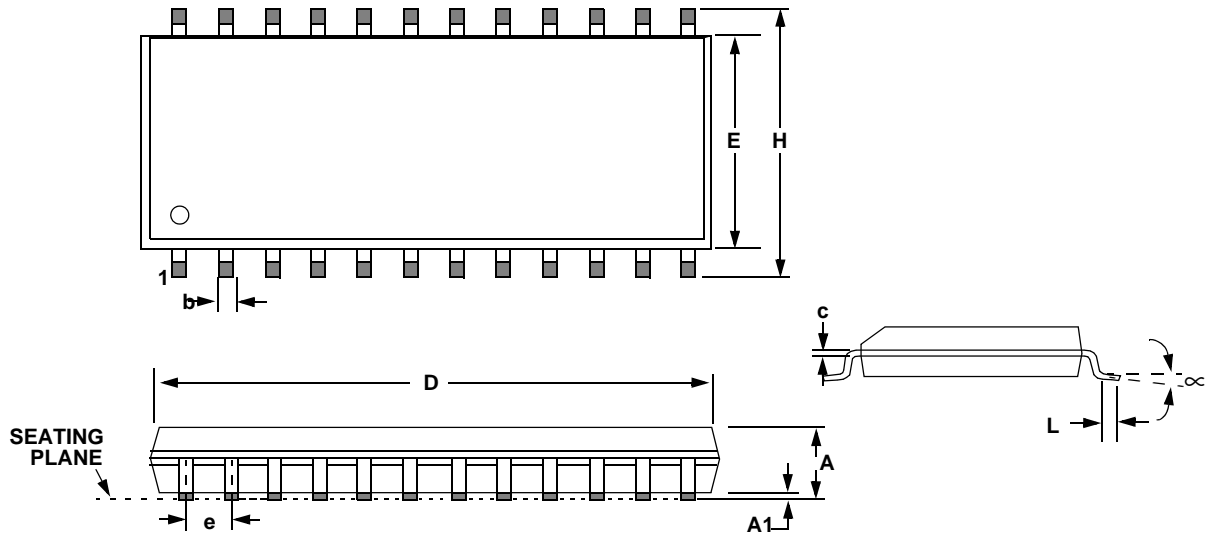
The deviation from the nominal full-scale analog output for a full-scale digital input.

Gain Drift

The change in gain value with temperature. Units in ppm/°C.

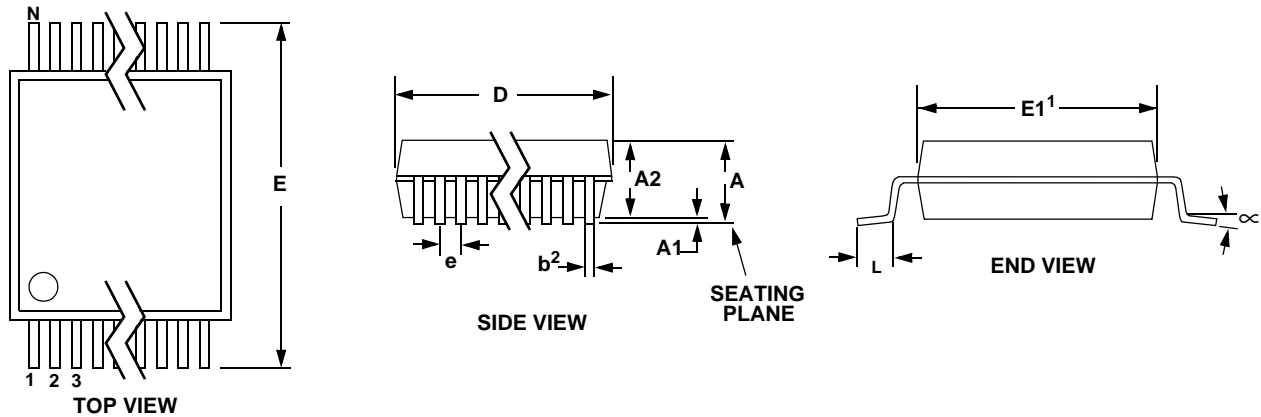
Offset Error

The deviation of the mid-scale transition (111...111 to 000...000) from the ideal. Units in mV.

6.0 PACKAGE DIMENSIONS
24L SOIC (300 MIL BODY) PACKAGE DRAWING


DIM	INCHES		MILLIMETERS	
	MIN	MAX	MIN	MAX
A	0.093	0.104	2.35	2.65
A1	0.004	0.012	0.10	0.30
B	0.013	0.020	0.33	0.51
C	0.009	0.013	0.23	0.32
D	0.598	0.614	15.20	15.60
E	0.291	0.299	7.40	7.60
e	0.040	0.060	1.02	1.52
H	0.394	0.419	10.00	10.65
L	0.016	0.050	0.40	1.27
∞	0°	8°	0°	8°

24L TSSOP (4.4 mm BODY) PACKAGE DRAWING



DIM	INCHES			MILLIMETERS			NOT E
	MIN	NOM	MAX	MIN	NOM	MAX	
A	--	--	0.043	--	--	1.10	
A1	0.002	0.004	0.006	0.05	--	0.15	
A2	0.03346	0.0354	0.037	0.85	0.90	0.95	
b	0.00748	0.0096	0.012	0.19	0.245	0.30	2,3
D	0.303	0.307	0.311	7.70	7.80	7.90	1
E	0.248	0.2519	0.256	6.30	6.40	6.50	
E1	0.169	0.1732	0.177	4.30	4.40	4.50	1
e	--	0.026 BSC	--	--	0.65 BSC	--	
L	0.020	0.024	0.028	0.50	0.60	0.70	
∞	0°	4°	8°	0°	4°	8°	

JEDEC #: MO-153

Controlling Dimension is Millimeters.

- Notes:
1. "D" and "E1" are reference datums and do not include mold flash or protrusions, but do include mold mismatch and are measured at the parting line, mold flash or protrusions shall not exceed 0.20 mm per side.
 2. Dimension "b" does not include dambar protrusion/intrusion. Allowable dambar protrusion shall be 0.13 mm total in excess of "b" dimension at maximum material condition. Dambar intrusion shall not reduce dimension "b" by more than 0.07 mm at least material condition.
 3. These dimensions apply to the flat section of the lead between 0.10 and 0.25 mm from lead tips.

7.0 REVISION HISTORY

Release	Date	Changes
PP3	Mar 2003	Preliminary datasheet.
PP4	Sept 2004	Include lead-free device ordering info.
F1	Jan 2005	Improve Gain Error specification under Analog Characteristics. Specify Full-scale Input Voltage in terms of V_A under Analog Characteristics. Update Differential Input Impedance under Analog Characteristics. Increase maximum THD+N rating for automotive grade devices. Increase maximum Power-Supply Current, I_A , under DC Electrical Characteristics. Reduce maximum Power Consumption under DC Electrical Characteristics. Update FILT+ Output Impedance specification under DC Electrical Characteristics. Extend maximum F_s in Single-Speed Mode to 51 kHz. Extend maximum F_s in Double-Speed Mode to 102 kHz. Extend maximum F_s in Quad-Speed Mode to 204 kHz. Decrease maximum SCLK falling to LRCK edge specification in Quad-Speed Mode. Replace minimum MCLK high/low timing specifications with duty cycle specification. Replace minimum SCLK high/low timing specifications with duty cycle specification.
F2	Feb 2005	Correct Recommended Analog Input Circuit.

Table 4. Revision History

Contacting Cirrus Logic Support

For all product questions and inquiries contact a Cirrus Logic Sales Representative.
 To find one nearest you go to www.cirrus.com

IMPORTANT NOTICE

Cirrus Logic, Inc. and its subsidiaries ("Cirrus") believe that the information contained in this document is accurate and reliable. However, the information is subject to change without notice and is provided "AS IS" without warranty of any kind (express or implied). Customers are advised to obtain the latest version of relevant information to verify, before placing orders, that information being relied on is current and complete. All products are sold subject to the terms and conditions of sale supplied at the time of order acknowledgment, including those pertaining to warranty, indemnification, and limitation of liability. No responsibility is assumed by Cirrus for the use of this information, including use of this information as the basis for manufacture or sale of any items, or for infringement of patents or other rights of third parties. This document is the property of Cirrus and by furnishing this information, Cirrus grants no license, express or implied under any patents, mask work rights, copyrights, trademarks, trade secrets or other intellectual property rights. Cirrus owns the copyrights associated with the information contained herein and gives consent for copies to be made of the information only for use within your organization with respect to Cirrus integrated circuits or other products of Cirrus. This consent does not extend to other copying such as copying for general distribution, advertising or promotional purposes, or for creating any work for resale.

CERTAIN APPLICATIONS USING SEMICONDUCTOR PRODUCTS MAY INVOLVE POTENTIAL RISKS OF DEATH, PERSONAL INJURY, OR SEVERE PROPERTY OR ENVIRONMENTAL DAMAGE ("CRITICAL APPLICATIONS"). CIRRUS PRODUCTS ARE NOT DESIGNED, AUTHORIZED OR WARRANTED FOR USE IN AIRCRAFT SYSTEMS, MILITARY APPLICATIONS, PRODUCTS SURGICALLY IMPLANTED INTO THE BODY, AUTOMOTIVE SAFETY OR SECURITY DEVICES, LIFE SUPPORT PRODUCTS OR OTHER CRITICAL APPLICATIONS. INCLUSION OF CIRRUS PRODUCTS IN SUCH APPLICATIONS IS UNDERSTOOD TO BE FULLY AT THE CUSTOMER'S RISK AND CIRRUS DISCLAIMS AND MAKES NO WARRANTY, EXPRESS, STATUTORY OR IMPLIED, INCLUDING THE IMPLIED WARRANTIES OF MERCHANTABILITY AND FITNESS FOR PARTICULAR PURPOSE, WITH REGARD TO ANY CIRRUS PRODUCT THAT IS USED IN SUCH A MANNER. IF THE CUSTOMER OR CUSTOMER'S CUSTOMER USES OR PERMITS THE USE OF CIRRUS PRODUCTS IN CRITICAL APPLICATIONS, CUSTOMER AGREES, BY SUCH USE, TO FULLY INDEMNIFY CIRRUS, ITS OFFICERS, DIRECTORS, EMPLOYEES, DISTRIBUTORS AND OTHER AGENTS FROM ANY AND ALL LIABILITY, INCLUDING ATTORNEYS' FEES AND COSTS, THAT MAY RESULT FROM OR ARISE IN CONNECTION WITH THESE USES.

Cirrus Logic, Cirrus, and the Cirrus Logic logo designs are trademarks of Cirrus Logic, Inc. All other brand and product names in this document may be trademarks or service marks of their respective owners.